

# 11021340

## VELONE® 1.2 - 4 poles 3-Ph 0.37 kW

VELONE® F400 - 1.2 - 3-Ph/1-Ph is an F400-120 class smoke and heat exhaust roof fan for non-residential buildings, industrial premises and multi-occupancy housing.



Smoke and heat exhaust roof fan VELONE

### PRODUCT BENEFITS

- accessories protected against impact + weather by metal body,
- factory-wired electrical accessories protected against impacts and inclement weather,
- pressure switch connected in factory.

### REGLEMENTATIONS AND COMPLIANCES

PV CE number : 1812\_CPR\_2014

### Principles of operation

When commanded by the FACP, the safety box will activate the VELONE F400 smoke and heat exhaust roof fan in smoke exhaust mode to extract smoke. The box will then switch to "default" mode, then "standby".

### Product description

VELONE® F400 -1.2 - 3-Ph/1-Ph is an F400-120 class smoke and heat exhaust roof fan for non-residential, industrial and multi-occupancy residential buildings. Its clever design means it can deliver airflows up to 27,000 m<sup>3</sup>/h without enlarging the base unit dimensions. For this range, Aldes proposes an "All-in-One" solution with a safety box pre-fitted in the factory.

### Fields of application

Multi-occupancy residential housing, New, Refurbishment, Non-residential buildings

### Installation

- outdoor installation directly on duct or on flat roof base (accessory).

### Main characteristics

- F400-120 classification as per EN 12101-3,
- CE certificate-compliant non-return damper and rain hood optional accessories,
- airflow from 100 to 1,200 m<sup>3</sup>/h at 200 pa,
- pressure switch can be connected in factory,
- galvanised steel motor bracket and base unit,
- ABS hood fastened by 4 high-helix lead screws,
- galvanised steel backward curve impeller,
- class F electric motor IP55,
- galvanised steel protective screen,
- pivot shaft for easy cleaning,
- can replace any Velone roof fan delivered between 1998 and 2007 due to same base unit dimensions.
- type: 1.2 M | Nbr poles: 4 | U (V): 230 | P (kW): 0.24 | f (Hz): 50 Hz | I nom. (A): 2.4 | Id/In: 2.9 | EEI: EI2,
- type: 1.2-4T | Nbr poles: 4 | U (V): 400 | P (kW): 0.25 | f (Hz): 50 Hz | I nom. (A): 0.75 | Id/In: 4.3 | EEI: the IE2.

# 11021340

## VELONE® 1.2 - 4 poles 3-Ph 0.37 kW

### Supplementary characteristics

- available accessories: (fire tested and approved in CE certificate):
  - lab-tested IPX4 rain hood kit = water splashes from any direction (for smoke and heat exhaust only),
  - sheet metal rain hood kit (for smoke and heat exhaust and ventilation),
  - backdraft damper,
  - vertical outlet kit,
  - sealing frame or frame mounted on duct,
  - pivot shaft,
  - flat roof or sloping roof base,
  - outlet blanking plug.
- electrical accessories:
  - single-phase voltage regulator,
  - 3-phase autotransformer,
  - frequency inverter.
- available options:
  - pressure switch connected, fixed and protected,
  - proximity switch wired, fixed and protected,
  - "All-in-one" solution (not available in single-phase version): Safety box supplied wired, pressure switch and main switch supplied and wired.
  - EPOXY paint finish

### Accessories

Désignations	References
Backdraft damper 1.2/1.5/3.2	11021260
IPX4 rain hood kit 1.2/1.5/3.2	11021285
Vertical outlet kit VELONE 1.2 / 1.5 / 3.2	11021366
3-phase 2A autotransformer	11086096
VELONE F400-120 pivot pin - Model 1.2/1.5/3.2 - base 533 mm	11021069
Double reset box AXONE / SOS VELONE	11057200
VELONE seal-in frame 1.2/1.5/3.2	11021290
Duct-mounted frame VELONE 1.2/1.5/3.2	11021295
Flat roof base H330 VELONE F400-120 1.2/1.5/3.2 - 533 mm	11021080
Roof base 1.2/1.5/3.2	11021085
Roof base H500 1.2/1.5/3.2	11021140
VARILONE VF 0.75 kW - 3-P/3-P	11057270
Velone/Velone 2 Kit Size 3	11021092

### Options

base
21273
21279
21281

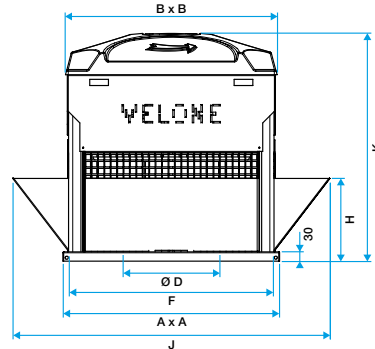
### General data

References	Type of motor	Type of impeller
11021340	AC	Backward curve

# 11021340 VELONE® 1.2 - 4 poles 3-Ph 0.37 kW

## Dimensional data

References	A (mm)	B (mm)	F (mm)	H (mm)	J (mm)	K (mm)	Ø D (mm)	Weight (kg)
11021340	533	519	493	190	87	580	185	36

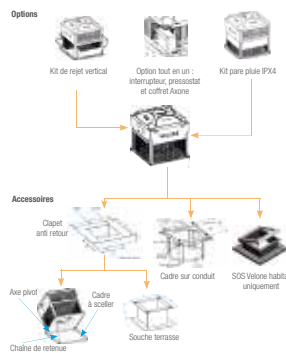


Encombrement (mm)

## Electrical datas

References	Frequency (Hz)	Id/In	Rated current (A)	Voltage (V)	Number of poles	Power (kW)
11021340	50/60	5	1,03	230/400	4	0,37

## Installation visual 1

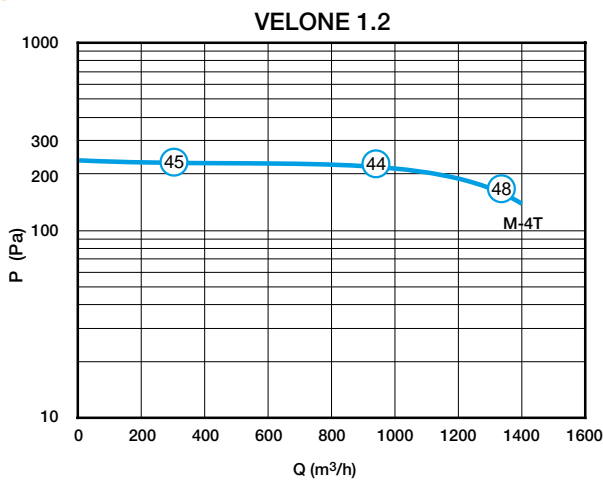


Options et accessoires pour VELONE



AXONE range selection tables

## Curve



Caractéristiques aérauliques et acoustiques VELONE 1.2 - 4T 0.37 KW

> curves as per standard NF EN 5801, ducted intake (Ø 250 mm),  
 > pressure values indicated on graphs are static pressure values,  
 > circled values = overall radiated sound pressure level in free field at 6 m, weighted A (L<sub>pm6</sub> (dB (A))).