

11021256

VELONE® 1.5-6 poles 3-Ph 0.18 kW + IP (stock)

VELONE F400 - 1.5 - 3-Ph/1-Ph is an F400-120 class smoke and heat exhaust roof fan for commercial, industrial and multi-occupancy residential buildings.



VELONE

PRODUCT BENEFITS

- accessories protected against impact + weather by metal body,
- factory-wired electrical accessories protected against impacts and inclement weather,
- pressure switch connected in factory.

REGLEMENTATIONS AND COMPLIANCES

PV CE number : 1812_CPR_2014

Principles of operation

When commanded by the FACP, the safety box will activate the VELONE F400 smoke and heat exhaust roof fan in smoke exhaust mode to extract smoke. The box will then switch to "default" mode, then "standby".

Product description

VELONE F400 - 1.5 - 3-Ph/1-Ph is an F400-120 class smoke and heat exhaust roof fan for commercial, industrial and multi-occupancy residential buildings. Its clever design means it can deliver airflows up to 27,000 m³/without enlarging the base unit dimensions. For this range, Aldes proposes an "All-in-One" solution with a safety box pre-fitted in the factory.

Fields of application

Multi-occupancy residential housing, New, Refurbishment, Non-residential buildings

Installation

- outdoor installation directly on duct or on flat roof base (accessory).

Reference arguments

- Airflow from 100 to 1500 m³/h at 200 Pa.

Main characteristics

- F400-120 classification as per EN 12101-3,
- CE certificate-compliant non-return damper and rain hood optional accessories,
- airflow from 100 to 1,200 m³/h at 200 pa,
- pressure switch can be connected in factory,
- galvanised steel motor bracket and base unit,
- ABS hood fastened by 4 high-helix lead screws,
- galvanised steel backward curve impeller,
- class F electric motor IP55,
- galvanised steel protective screen,
- pivot shaft for easy cleaning,
- can replace any Velone roof fan delivered between 1998 and 2007 due to same base unit dimensions.
- type: 1.5 M | Nbr poles: 4 | U (V): 230 | P (kW): 0.24 | f (Hz): 50 Hz | I nom. (A): 2.4 | Id/In: 2.9 | EEI: EI2,
- type: 1.5-4T | Nbr poles: 4 | U (V): 400 | P (kW): 0.25 | f (Hz): 50 Hz | I nom. (A): 0.75 | Id/In: 4.3 | EEI: EI2,
- type: 1.5-6T | Nbr poles: 6 | U (V): 400 | P (kW): 0.18 | f (Hz): 50 Hz | I nom. (A): 0.76 | Id/In: 3.2 | EEI: EI2,
- type: 1.5-4/8T | Nbr poles: 4/8 | U (V): 400 | P (kW): 0.6/0.15 | f (Hz): 50 Hz | I nom. (A): 1.82/0.81 | Id/In: 5.5/3.1 | EEI: EI3.

11021256

VELONE® 1.5-6 poles 3-Ph 0.18 kW + IP (stock)

Supplementary characteristics

- available accessories: (fire tested and approved in CE certificate):
 - lab-tested IPX4 rain hood kit = water splashes from any direction (for smoke and heat exhaust only),
 - sheet metal rain hood kit (for smoke and heat exhaust and ventilation),
 - backdraft damper,
 - vertical outlet kit,
 - sealing frame or frame mounted on duct,
 - pivot shaft,
 - flat roof or sloping roof base,
 - outlet blanking plug.
- electrical accessories:
 - single-phase voltage regulator,
 - 3-phase autotransformer,
 - frequency inverter.
- available options:
 - pressure switch connected, fixed and protected,
 - proximity switch wired, fixed and protected,
 - "All-in-one" solution (not available in single-phase version): Safety box supplied wired, pressure switch and main switch supplied and wired.
 - EPOXY paint finish

Accessories

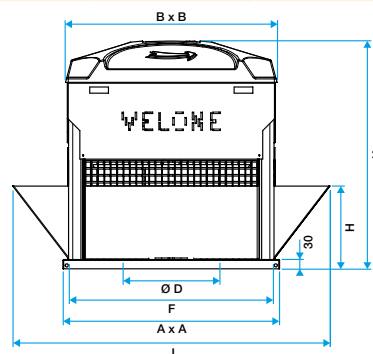
| Désignations | References |
|---|------------|
| Backdraft damper 1.2/1.5/3.2 | 11021260 |
| IPX4 rain hood kit 1.2/1.5/3.2 | 11021285 |
| Vertical outlet kit VELONE 1.2 / 1.5 / 3.2 | 11021366 |
| 3-phase 2A autotransformer | 11086096 |
| VELONE F400-120 pivot pin - Model 1.2/1.5/3.2 - base 533 mm | 11021069 |
| Double reset box AXONE / SOS VELONE | 11057200 |
| VELONE seal-in frame 1.2/1.5/3.2 | 11021290 |
| Duct-mounted frame VELONE 1.2/1.5/3.2 | 11021295 |
| Flat roof base H330 VELONE F400-120 1.2/1.5/3.2 - 533 mm | 11021080 |
| Roof base 1.2/1.5/3.2 | 11021085 |
| Roof base H500 1.2/1.5/3.2 | 11021140 |
| VARILONE VF 0.75 kW - 1-Ph/3-Ph | 11057265 |
| IPX4 rain hood kit 4.5/7.2/10.5 | 11021286 |
| Velone/Velone 2 Kit Size 3 | 11021092 |

General data

| References | Type of motor | Type of impeller |
|------------|---------------|------------------|
| 11021256 | AC | Backward curve |

Dimensional data

| References | A (mm) | B (mm) | F (mm) | H (mm) | J (mm) | K (mm) | Ø D (mm) | Weight (kg) |
|------------|--------|--------|--------|--------|--------|--------|----------|-------------|
| 11021256 | 533 | 519 | 493 | 190 | 87 | 607 | 209 | 43 |



Encombrement (mm)

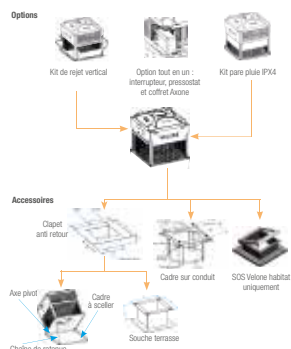
11021256

VELONE® 1.5-6 poles 3-Ph 0.18 kW + IP (stock)

Electrical datas

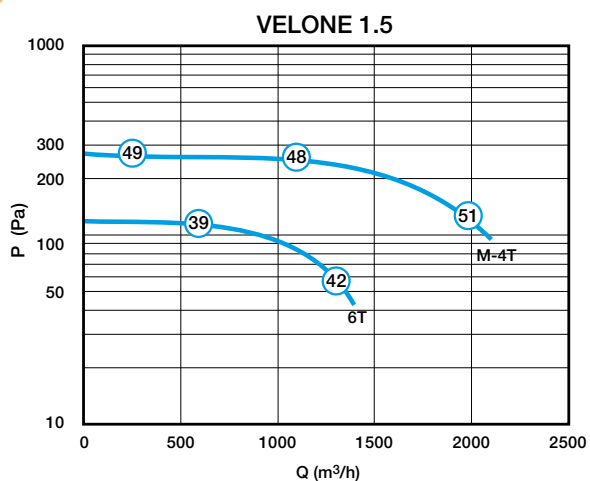
| References | Frequency (Hz) | Id/In | Rated current (A) | Voltage (V) | Number of poles | Power (kW) |
|------------|----------------|-------|-------------------|-------------|-----------------|------------|
| 11021256 | 50/60 | 3,5 | 0,71 | 230/400 | 6 | 0,18 |

Installation visual 1



Vue des accessoires compatibles avec VELONE

Curve



> graphs as per NF EN ISO 5801, ducted intake (Ø 250 mm).
 > pressures indicated on graphs = static pressures.
 > circled values = global acoustic pressure level radiated in free field at 6 m, weighted A (L_{pm6} (dB (A))).

Aeratic and acoustic properties VELONE 1.5-6T 0.18 KW + IP