

Air handling unit

11058138

VEX308 Int (unit partially recessed into suspended ceiling)

The VEX 308 is a ready-to-use, decentralised air handling solution, ideal for refurbishment applications.



VEX308 partly integrated

PRODUCT BENEFITS

- simple and easy installation – plug & play with motion, RH and CO2 sensor,
- integrated heating coils available,
- developed in accordance with hygiene standard VDI6022.

Principles of operation

The VEX 308 brings fresh, filtered air into the building and recovers heat from exhaust air using its high-efficiency heat exchanger. The incoming air can be heated and/or cooled using a comprehensive range of coils.

Product description

The VEX 308 is a decentralised air handling unit for schools, offices, etc. A decentralised air handling unit is an ideal solution for refurbishment projects. For optimised integration in the selected space, the VEX 308 offers a version for semi-integrated installation in a ceiling and also with white, Aluzinc® or grey decorative panel. It is completed with a decorative strip in seven different colours.

Fields of application

New, Refurbishment, Non-residential buildings

Installation

- indoor: in a classroom, office space, etc.,
- ceiling installation (visible or partially integrated (semi-embedded)) or on a wall,
- small ductwork.

Main characteristics

- 1 decentralized model - up to 850m³ / h - in 2 versions:
 - Visible version (STD),
 - Semi-embedded (INT) for installation within a suspended ceiling.
- monobloc construction,
- insulation - 20 mm polyurethane for better sound attenuation,
- external finish: Aluzinc AZ185: corrosion class C4. Customizable in pre-painted white (standard) gold anthracite gray as request,
- vertical fixings for connection via the ceiling, or horizontal fixings for wall connections,
- EC motor with forward curved impeller,
- high efficient counter-flow heat exchangers (Eurovent AAHE),
- modulated bypass,
- ePM10 60% (M5) or ePM1 55% (F7). Pre-supply air filters coarse 60% (G4), as accessory,
- accessories:
 - integrated CO2 sensor,
 - integrated motion detector, incl. LED status indicator - PIR,
 - integrated humidity sensor - HR,
 - webservice communication - WEBE,
 - HMI user interface (for start and commissioning),
 - Be aware; if Integrated CO2 sensor and Integrated PIR is selected, the unit is completely plug and play.

Consumables

| Désignations | References |
|---------------------------------|------------|
| M5 Filter VEX 308 | 12900165 |
| F7 Filter VEX 308 | 12900166 |
| Pre-filter G4 Coarse 60% VEX308 | 11101505 |

Air handling unit

11058138

VEX308 Int (unit partially recessed into suspended ceiling)

Associated services

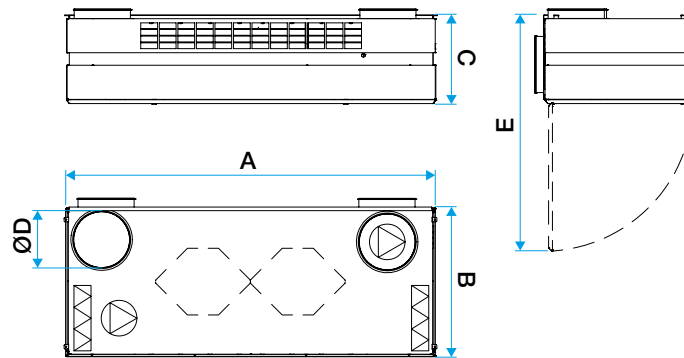
Commissioning

General data

| References | Insulation density (kg/m ³) | Thickness of insulation (mm) | Available filters | Connection direction | Type of exchanger | Type of motor | Type of impeller |
|------------|---|------------------------------|--|----------------------|-------------------|---------------|------------------|
| 11058138 | 135 | 20 | ISO ePM10 50% (M5) or ISO ePM1 60% (F7) plan (ask for other types of ISO Coarse 65% (G4) filters and pre-filters). | Ceiling | With plates | EC | Forward curve |

Dimensional data

| References | A (mm) | B (mm) | C (mm) | E (mm) | Ø connection (fresh air or exhaust) (mm) | Ø connection (discharge or air supply) (mm) | Weight (kg) |
|------------|--------|--------|--------|--------|--|---|-------------|
| 11058138 | 2075 | 840 | 500 | 1320 | 315 | 315 | 203 |



Dimensions VEX308

Airflow data

| References | Max. airflow (m ³ /h) |
|------------|----------------------------------|
| 11058138 | 800 |

Thermal data

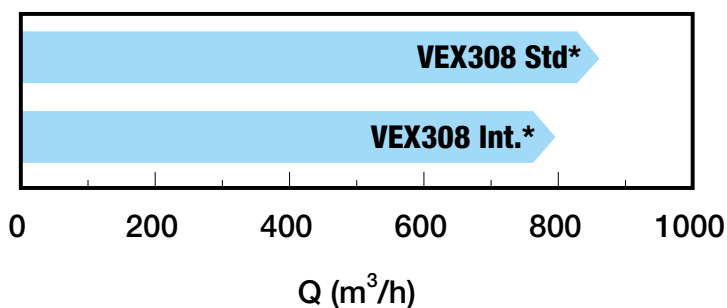
| References | Max. exchanger output (%) |
|------------|---------------------------|
| 11058138 | 97 |

Electrical datas

| References | Frequency (Hz) | Protection rating | Max. current consumption SINGLE-PHASE 230 V (A) | Max. power of electrical coil 1 (kW) | Max. electrical output of unit (kW) | Electrical coil voltage 1 | Unit voltage (V) |
|------------|----------------|-------------------|---|--------------------------------------|-------------------------------------|---------------------------|------------------|
| 11058138 | 50 | IP20 | 2,5 | 2.4 | 0,575 | 230 | 230 |

Curve

Integrated (Int): the unit is semi-embedded into the false ceiling



Range