

Air handling unit

11060827
VEX420

VEX400 is an economical AHU solution delivering good indoor air quality and a high level of comfort while limiting energy losses in the building.



VEX400



VEX400 ouverte

PRODUCT BENEFITS

- cost-effectiveness,
- performance and efficiency,
- coverage of low airflows,

Principles of operation

VEX400 brings fresh, filtered air into the building and recovers heat from exhaust air using its high-efficiency heat exchanger. The incoming air can be heated and/or cooled using a full range of coils.

Product description

VEX400 is the ideal, economical and robust solution for small non-residential buildings. Thanks to its heat exchanger, its range of filters and coils, building occupants enjoy good indoor air quality (up to ePM1 60%) alongside high thermal and acoustic comfort. VEX400 also restricts energy losses to a minimum (up to 90% efficiency on Eurovent AAHE-certified heat exchanger).

Fields of application

New, Refurbishment, Non-residential buildings

Installation

- equipment rooms / flat roofs,
- indoors / outdoors,
- in-line duct connections,
- rectangular connectors (circular adapters available as accessories),
- choice of utility connections side - left or right.

Reference arguments

- VEX420 monobloc air handling unit, horizontal connection.
- Counterflow plate heat exchanger (AAHE certified).
- EC motors and backward curve impellers.
- 1200 m³/h.
- 50 mm dual skin insulation.
- Filtration up to ePM1 60%.
- 100% adjustable bypass.
- Anthracite grey access panel.
- Multiple possibilities for built-in coils.
- Control options: 0-10V, constant pressure, constant airflow.
- Integrated web server.
- BMS via Modbus RTU.

Air handling unit

11060827
VEX420

Main characteristics

- pre-cabled monobloc unit,
- self-supporting construction with dual-wall panels,
- 50 mm mineral wool insulation, 40 kg/m³ density,
- counterflow plate heat exchanger (up to 90% efficient) (AAHE certified),
- EC motor and backward curve impeller,
- adjustable by-pass control,
- G4 flat filters (Coarse 60%) or M5 (ePM10 50%) on extraction, F7 (ePM1 60%) or M5 (ePM10 50%) on fresh air and G4 pre-filters (Coarse 65%),
- filter clogging monitored by pressure switch,
- built-in external switch,
- wide range of coils,
- Aldes Classic control on calendar management:
 - constant speed (3 speeds),
 - variable speed according to CO₂/VOC (0-10V signal)
 - constant airflow and constant pressure optional.
- configuration & monitoring via:
 - wired remote control,
 - BMS via Modbus RTU RS485 protocol
- defrosting by bypass or optional electrical defrosting coil.

Supplementary characteristics

- coil options:
 - electrical,
 - electrical post-heating,
 - hot water with or without 3-way valve,
 - cold water with or without 3-way valve,
 - reversible (hot/cold) water with or without 3-way valve.
- access to all components on the main panel via hinged, removable doors and to control system via a specific central hatch,
- Aluminium condensate collection tray,
- Factory-mounted cowl for outdoor versions,
- M0 galvanised steel Z275 interior and exterior finishes.

Accessories

Désignations	References
Sens CO2 sensor	11017090
VEX520 rain hood	11069032
Flexible sleeve MS rectangular/circular D315 VEX40/VEX520	11069048
Adapter piece rectangular - circular VEX420/520/520-C4	11072346
MOTOR SHUT-OFF DAMPER VEX420/520	11069016
Motor Sfa-S2 On/Off 24/230V	11055045
Standalone detector trip device 230/24V	11906103
Smoke sensor	11058417
Flexible sleeve MS Pro rectangular 410x310 mm VEX420 and VEX520	11069088

Consumables

Désignations	References
F7 flat filter kit VEX420/520	11069056
G4 flat filter kit VEX420/520	11069064
FILTER KIT M5 FLAT VEX420/520 BASE	11100553

Options

base
C69387
CO2
DEBCON
E69395
EXTER
F69387

Air handling unit

11060827

VEX420

Options

F7
G4
G4F7
G69376
L69376
M5_R
M5_S
PRECON
PRESS
S69376
S69387
S69395

Associated services

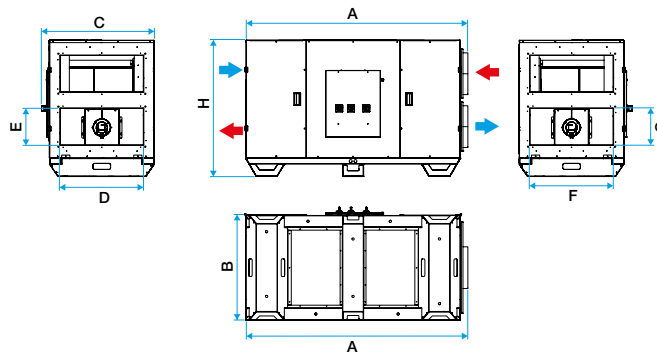
Commissioning

General data

References	Insulation density (kg/m ³)	Thickness of insulation (mm)	Available filters	Connection direction	Type of exchanger	Type of motor	Type of impeller
11060827	40	50	Coarse 65%, ePM1 50%, ePM1 60%	Horizontal	With plates	EC	Backward curve

Dimensional data

References	A (mm)	B (mm)	C (mm)	F (mm)	G (mm)	H (mm)	Weight (kg)
11060827	1822	578	628	440	340	1157	205



Dimensions VEX400

Dimensions are given as a guide only. Make your selection in the Selector VEX software to obtain the actual characteristics of your unit.

Airflow data

References	Max. airflow (m ³ /h)
11060827	1300

Thermal data

References	Max. exchanger output (%)	Max. current absorbed (kW)
11060827	90	0,9

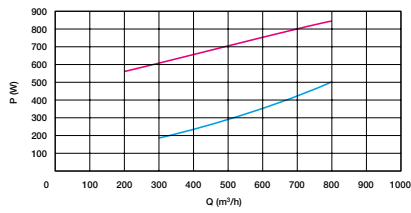
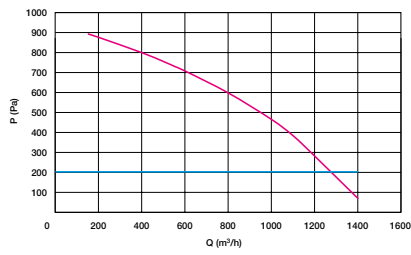
Electrical datas

References	Max. power of electrical coil 1 (kW)	Max. electrical output of unit (kW)	Electrical coil voltage 1	Unit voltage (V)
11060827	2.62	0,9	3x400	230

Air handling unit

11060827 VEX420

Curve



- > Aeraulic curves drawn up as per standard NF EN ISO 5801.
- > P (Pa) = static pressure.
- > P (W) = power consumption.

Airflow and power VEX420