

## CMEV air handling unit

11069004  
VEX540

VEX500 is the air handling unit solution that delivers very good indoor air quality (ePM1 filter 90%) and a high level of comfort while limiting energy losses to a minimum.



## PRODUCT BENEFITS

- air handling units producing very high efficiency (up to 95%),
- exclusive Aldes Smart Control® system,
- optimal air quality and thermal comfort,

## REGULATIONS AND COMPLIANCES

Eurovent Certification no. : 13.03.001

## Principles of operation

VEX500 brings fresh, filtered air (up to 90% of PM1) into the building and recovers heat from exhaust air using its very high-efficiency heat exchanger. The incoming air can be heated and/or cooled using a full range of coils.

## Product description

VEX400 is the ideal high-performance solution for small non-residential buildings. Thanks to its very high-performance heat exchanger, its wide range of filters and coils, building occupants enjoy very good indoor air quality (up to ePM1 90%) alongside excellent thermal and acoustic comfort. VEX400 also severely restricts energy losses to a minimum (up to 95% efficiency on Eurovent AAHE-certified heat exchanger).

## Fields of application

New, Refurbishment, Non-residential buildings

## Installation

- equipment rooms / flat roofs,
- indoors /outdoors,
- in-line duct connections,
- rectangular connectors (circular adapters available as accessories),
- choice of utility connections side - left or right.

## Reference arguments

- VEX540 monobloc air handling unit with horizontal connection.
- High-efficiency counterflow plate heat exchanger (AAHU-certified).
- EC motors and backward curve impellers.
- 2300 m3/h.
- 50 mm double-skin insulation.
- Filtration up to ePM1 90%.
- 100% adjustable bypass.
- Anthracite grey access panel.
- Multiple possibilities for built-in coils.
- Aldes Smart Control system.
- Built-in web server.
- BMS via Modbus RTU and Bacnet TCP/IP.

CMEV air handling unit

# 11069004

## VEX540

### Main characteristics

- pre-wired monobloc unit featuring self-supporting construction with dual-wall panels,
- 50 mm mineral wool insulation, density 40 kg/m<sup>3</sup>,
- high-efficiency counterflow plate heat exchanger up to 95% (AAHU-certified),
- EC motor and high-performance backward curve impeller,
- 100 % and adjustable bypass control,
- G4 filters (Coarse 60%) on exhaust and F7 (ePM1 60%) on fresh air as standard,
- optional: M5 (ePM10 50%), F9 (ePM1 90%),
- wide range of coils,
- built-in switch,
- Aldes Smart Control® system:
  - constant speed,
  - constant airflow,
  - constant pressure,
  - variable airflow according to CO<sub>2</sub>/VOC sensor (0-10 V signal),
  - pressure control: adapts pressure to airflow measured, for very high energy efficiency,
  - built-in clock: timer control.
- configuration & monitoring via:
  - remote touch-screen control,
  - built-in webserver,
  - BMS via ModbusRTU, Bacnet, TCP/IP.
- de-icing by electrical coil on exhaust air or by controlled bypass opening

## CMEV air handling unit

11069004  
VEX540

## Supplementary characteristics

- coil options:
  - electrical,
  - electrical post-heating,
  - hot water with or without 3-way valve,
  - cold water with or without 3-way valve,
  - reversible (hot/cold) water with or without 3-way valve.
- aluminium or galvanised steel + paint condensate collection tray on heat exchanger,
- monobloc roof piece fitted in factory for outdoor versions,
- access to all components on the main panel via hinged, removable doors, and to control system via a specific central hatch,
- steel access doors pre-coated in dark grey (RAL 7016),
- galvanised steel or pre-coated external finish (RAL 9006) depending on the version,
- M0 interior finishes made of Z275 galvanised steel.

## Accessories

Description	Variants
Sens CO2 sensor	11017090
VEX540 rain hood	11069035
Flexible sleeve rectangular/circular D500 VEX440/540	11069051
Rigid adapter piece VEX540	11069043
Motorised shut-off damper VEX440 and VEX540	11069019
Temperature sensor, Modbus, room P_ACCESSORIES_DFE1106910-1 P_ACCESSORIES_DFE1106910-2 P_ACCESSORIES_DFE1106910-3 P_ACCESSORIES_DFE1106910-4 P_ACCESSORIES_DFE1106911-3 P_ACCESSORIES_DFE1106911-4 P_ACCESSORIES_DFE1106911-5 P_ACCESSORIES_DFE1109026-3 P_ACCESSORIES_DFE1109026-4 P_ACCESSORIES_DFE1109026-5 P_ACCESSORIES_DFE1109026-6 P_ACCESSORIES_DFE1109026-7 P_ACCESSORIES_DFE1109026-8	11069100
Optiflex, flex tube Ø90 (antistatic and antibacterial) OPTIFLEX round OPTIFLEX oval duct (antistatic and antibacterial)	
Optiflex, flex tube Ø75 (antistatic and antibacterial) OPTIFLEX round Optiflex, flex pipe Ø75 (antistatic) Optiflex, flex pipe Ø90 (antistatic)	
OCTA-Ø160 sound attenuator P_ACCESSORIES_DFE1110014-2	
Motor Sfa-S2 On/Off 24/230V	11055045
Standalone detector trip device 230/24V	11906103
Smoke sensor	11058417
Flexible sleeve MS Pro rectangular 610x410 mm VEX440 VEX540	11069091

## Filters

Description	Variants
ePM1 flat filter 60% (F7) VEX440/VEX640 fresh air and VEX540	11069059
F7 HE flat filter kit VEX540 AN	11069075
G4 pre-filter kit VEX540 pre-21/02/2018	11069083
F9 flat filter kit VEX540/VEX640	11100741
FILTER KIT M5 FLAT VEX640 fresh air VEX440/VEX540	11100555
G4 flat filter kit VEX640an 440/540	11069067

## Options

base
C69384
CO2
DEBCON
E69392

CMEV air handling unit

## 11069004

### VEX540

#### Options

EXTENSION
EXTER
F69384
F7
F7+F9
FILAIRE
G4+F9
G4_S
G69373
HAUTEFF
L69373
M5+F7
M5+F7HE
M5+F9
M5_R
M5_S
PRECON
PREDEBCON
PREFILTRE
PREFILTRE2
PRESS
S69373
S69384
S69392
TACTILE

#### Associated services

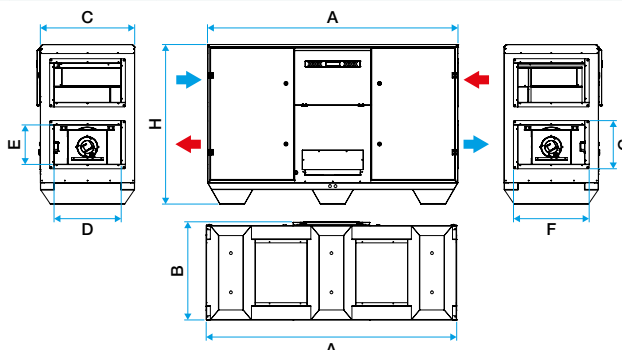
Commissioning

#### General data

Variants	Insulation density (kg/m³)	Thickness of insulation (mm)	Available filters	Connection direction	Type of exchanger	Type of motor	Type of impeller
11069004	40	50	Coarse 65%, ePM10 50%, ePM1 60%, ePM1 90%	Horizontal	With plates	EC	Backward curve

#### Dimensional data

Variants	A (mm)	B (mm)	C (mm)	D (mm)	E (mm)	F (mm)	G (mm)	H (mm)	Weight (kg)
11069004	2125	931	903	610	410	640	440	1470	366



Dimensions are given as a guide only. Make your selection in the Selector VEX software to obtain the actual characteristics of your unit.

#### Airflow data

Variants	Max. airflow (m³/h)
11069004	2500

#### Heat recovery data

Variants	Max. exchanger output (%)	Max. current absorbed (kW)
11069004	95	1,4

CMEV air handling unit

## 11069004

### VEX540

#### Electrical datas

Variants	Electrical coil voltage 1	Max. power of electrical coil 1 (kW)	Max. electrical output of unit (kW)	Unit voltage (V)
11069004	3x400	7.48	1,4	230

#### Regulatory data

Variants	Test values as per standard EN 1886
11069004	D1, L2, F7, T3, TB2

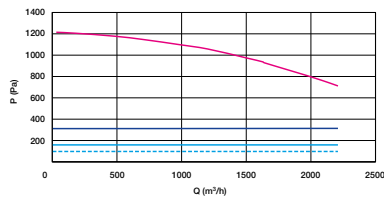
#### Principles of operation



View of airflows in a VEX500

Eclaté VEX500

#### Curve



- > Aeraulic curves drawn up as per standard NF EN ISO 5801.
- > P (Pa) = static pressure.
- > P (W) = power consumption.

