

Air handling unit

11069288
VEX580-C4

VEX500-C4 is the air handling unit solution for bedrooms. It delivers a very good indoor air quality, a high level of comfort and restricts energy losses to a minimum.



VEX500-C4

PRODUCT BENEFITS

- the safety of C4 blended with the benefits of very high efficiency air handling (up to 95%),
- exclusive Aldes Smart Control® system,
- optimum air quality and thermal comfort.

REGLEMENTATIONS AND COMPLIANCES

Eurovent Certification no. : 13.03.001

Principles of operation

VEX500-C4 brings fresh, filtered air (up to 90% of PM1) into the building and recovers heat from exhaust air using its very high-efficiency heat exchanger. The incoming air can be heated and/or cooled using a full range of coils.

Product description

VEX500-C4 is the ideal high-performance solution for multi-occupancy housing and non-residential accommodation. Thanks to its very high-performance heat exchanger, its wide range of filters and coils, building occupants enjoy very good indoor air quality (up to ePM1 90%) alongside excellent thermal and acoustic comfort. VEX500-C4 also severely restricts energy losses to a minimum (up to 95% efficiency on Eurovent AAHE-certified heat exchanger).

Fields of application

Multi-occupancy residential housing, New, Refurbishment, Non-residential buildings

Installation

- equipment rooms / flat roofs,
- indoors / outdoors,
- in-line duct connections,
- rectangular connectors (circular adapters available as accessories),
- choice of utility connections side - left or right.

Reference arguments

- VEX580-C4 monobloc air handling unit with horizontal connection. • C4 fire certification. • High-efficiency counterflow plate heat exchanger (AAHU-certified).
- EC motors and backward curve impellers. • 50 mm double-skin insulation. • Filtration up to ePM1 90%. • 100% adjustable bypass. • Anthracite grey access panel. • Multiple possibilities for built-in coils. • Aldes Smart Control system. • Built-in web server. • BMS via Modbus RTU and Bacnet TCP/IP.

Air handling unit

11069288
VEX580-C4

Main characteristics

- C4 solution: 400 °C 1/2 hour (Ø 160mm)
- pre-wired monobloc unit featuring self-supporting construction with dual-wall panels,
- 50 mm mineral wool insulation, density 40 kg/m³,
- high-efficiency counterflow plate heat exchanger up to 95% (AAHE-certified),
- EC motor and high-performance backward curve impeller,
- 100 % and adjustable bypass control,
- G4 filters (Coarse 60%) on exhaust, F7 (ePM1 60%) on fresh air,
- optional: M5 (ePM10 50%), F9 (ePM1 90%),
- wide range of coils,
- built-in switch,
- Aldes Smart Control® system:
 - constant speed,
 - constant airflow,
 - constant pressure,
 - variable airflow according to CO2/VOC probe (0-10V signal)
 - pressure control: adapts pressure to airflow measured, for very high energy efficiency,
 - built-in clock: timer control,
 - configuration & monitoring via:
 - remote touch-screen control,
 - web server,
 - BMS via ModbusRTU, Bacnet, TCP/IP.
- defrosting by electrical coil on exhaust air or by imbalancing the bypass.

Supplementary characteristics

- coil options:
 - electrical,
 - electrical post-heating,
 - hot water with or without 3-way valve,
 - cold water with or without 3-way valve,
 - reversible (hot/cold) water with or without 3-way valve.
- aluminium or galvanised steel + paint condensate collection tray on heat exchanger,
- monobloc roof piece fitted in factory for outdoor versions,
- access to all components on the main panel via hinged, removable doors, and to control system via a specific central hatch,
- steel access doors pre-coated in dark grey (RAL 7016),
- galvanised steel or pre-coated external finish (RAL 9006) depending on the version,
- M0 interior finishes made of Z275 galvanised steel.

Accessories

Désignations	References
VEX580 rain hood	11069039
Flexible sleeve rectangular/circular D710 VEX580	11069055
Rigid adapter piece VEX580	11069047
Flexible sleeve rectangular 1410x510 mm VEX580	11069095

Consumables

Désignations	References
ePM1 flat filter kit 60% (F7) for VEX580	11069063
G4 flat filter kit VEX580	11069071
M5 flat filter kit VEX580	11100735
F9 flat filter kit VEX580	11100745
G4 pre-filter kit VEX580 pre-21/02/2018	11069087
F7 HE flat filter kit VEX580 AN	11069079

Options

base
C69380
CO2

Air handling unit

11069288

VEX580-C4

Options

DEBCON
E69388
EXTENSION
EXTER
F69380
F7
F7+F9
FILAIRE
G4+F9
G4_S
G69369
HAUTEFF
L69369
M5+F7
M5+F7HE
M5+F9
M5_R
M5_S
PRECON
PREDEBCON
PREFILTRE
PREFILTRE2
PRESS
S69369
S69380
S69388
TACTILE

Associated services

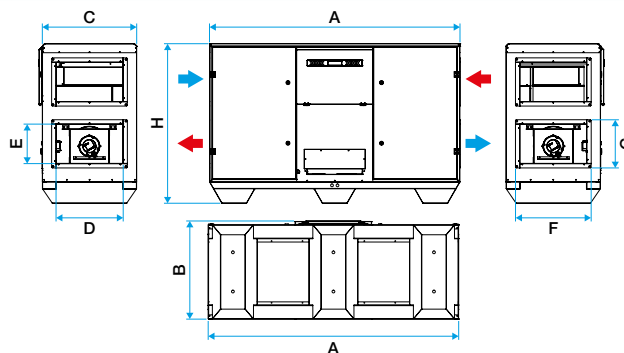
Commissioning

General data

References	Insulation density (kg/m ³)	Thickness of insulation (mm)	Available filters	Connection direction	Type of exchanger	Type of motor	Type of impeller
11069288	40	50	Coarse 65%, ePM10 50%, ePM1 60%, ePM1 90%	Horizontal	With plates	EC	Backward curve

Dimensional data

References	A (mm)	B (mm)	C (mm)	D (mm)	E (mm)	F (mm)	G (mm)	H (mm)	Weight (kg)
11069288	2627	1847	1818	1410	510	1440	540	1693	840



Dimensions VEX500-C4

Dimensions are given as a guide only. Make your selection in the Selector VEX software to obtain the actual characteristics of your unit.

Airflow data

References	Minimum airflow	Max. airflow (m ³ /h)
11069288	1400	7000

Air handling unit

11069288

VEX580-C4

Thermal data

References	Max. exchanger output (%)	Max. current absorbed (kW)
11069288	95	5,18

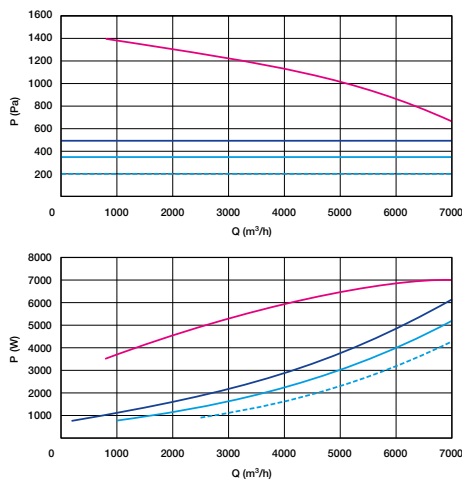
Electrical datas

References	Max. power of electrical coil 1 (kW)	Max. electrical output of unit (kW)	Electrical coil voltage 1	Unit voltage (V)
11069288	22.4	7,2	3x400	400

Regulatory data

References	Test values as per standard EN 1886
11069288	D1, L2, F7, T3, TB2

Curve



- > Aeraulic curves drawn up as per standard NF EN ISO 5801.
- > P (Pa) = static pressure.
- > P (W) = power consumption.

Airflow and power VEX580-C4