

## Air handling unit

11069109  
VEX760T

VEX700T is a perfect rotary air handling unit for small spaces, due to its small footprint and top connections.



Operations

## PRODUCT BENEFITS

- Air handling units with reduced footprints (vertical fittings, bi-blocks),
- Siemens Climatix controls,
- optimal air quality and thermal comfort through a wide range of filter types and coils.

## Principles of operation

The VEX 700 T brings fresh, filtered air into the building and recovers heat from exhaust air using its high-efficiency heat exchanger. The incoming air can be heated and/or cooled using a comprehensive range of coils.

## Product description

The VEX 700 T is a cost-effective rotary heat exchanger solution that can handle high airflows (up to 10,000 m<sup>3</sup>/h) despite its small footprint, thanks in part to its top-mounted connections. Its configuration interface enables you to adapt its use to a wide variety of applications.

## Fields of application

New, Refurbishment, Non-residential buildings

## Installation

- equipment rooms,
- indoors,
- vertical duct connection,
- connects to rectangular fittings (circular connections using transformers),
- choice of left or right side access.

## Main characteristics

- 8 VEX 700 T models up to 10,000 m<sup>3</sup>/h.,
- mono & dual-block units,
- self-supporting construction with galvanised steel panels,
- external paint finish RAL 7042,
- insulation with 50 mm of mineral wool, density 70 kg/m<sup>3</sup>,
- access to all components via hinged doors fitted to front and to control system via a specific central hatch,
- high-efficiency rotary heat exchanger (up to 86%),
- EC motor and high-performance backward curve impeller,
- compact filters ISO ePM10 50% (M5) on exhaust air and ISO ePM 65 % (F7) on air supply (as standard),
- filters available: ISO ePM10 50% (M5), ISO ePM 65% (F7) & ISO ePM1 80% (F9),
- optional pre-filters: ISO ePM10 50% (M5) or ISO ePM 65% (F7)

External electric, hot water, cold water coils, permutation and evaporator coil +/-,

- proximity switch available as option,
- Siemens Climatix control system,
- de-icing by reducing impeller speed,
- free-cooling as standard and optional night cooling (with Temp° sensor for room).

## Air handling unit

11069109  
VEX760T

## Supplementary characteristics

- Siemens Climatix controls:
  - constant speed,
  - constant airflow,
- constant pressure,
  - airflow control with CO<sub>2</sub>/VOC sensor (0-10 V signal),
  - built-in clock: operating times can be controlled using a timer.
- Configuration & monitoring via:
  - remote control,
  - web interface,
  - BMS communication via Modbus RTU, BACnet, TCP/IP or MS/TP protocols.

## Accessories

Désignations	References
Proximity switch 1-speed 3-Ph - 7.5 kW + contacts	11057606
Rotor speed controller VEX700T	11069102
Pressure sensor	11069103
Humidity sensor VEX700T	11069113
2nd pressure switch filter VEX700T	11069114
VOC sensor VEX700T	11069115
Fresh air / discharge damper VEX760T	11069120
Silencer VEX760T L600	11069136
Silencer VEX760T L1000	11069137
Silencer VEX760T L1500	11069138
Silencer VEX760T L2000	11069139
Sens CO <sub>2</sub> sensor	11017090
CO <sub>2</sub> duct sensor DFE	11100142

## Consumables

Désignations	References
Filter kit M5 VEX760T	11100997
Filter kit F7 VEX760T	11101003
Filter kit F9 VEX760T	11101009

## Options

base
CAPT_VEX700
CHANG
CIRC
COLD
CON
DEBCON
ELEC 10kW
ELEC 12kW
ELEC 15kW
ELEC 25kW
ELEC 5kW
ELEC 8kW
F7
F7F9
F9
HOT
M5
M5F7
M5F9
MSTP
PRESCON
REGUL

Air handling unit

## 11069109

### VEX760T

#### Options

SOR
TCPIP
V2V
V3V
VAR

#### Associated services

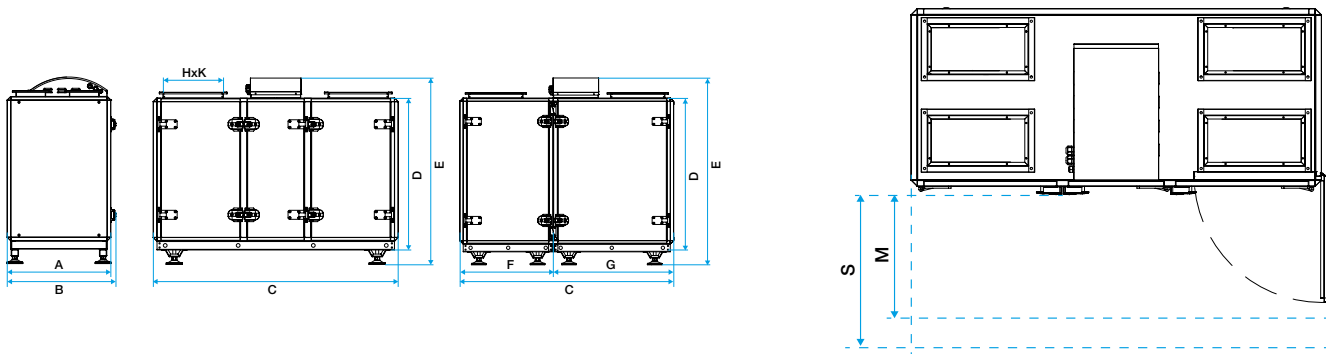
Commissioning

#### General data

References	Available filters	Connection direction	Type of exchanger	Type of motor	Type of impeller
11069109	ISO ePM10 50% (M5), ISO ePM 65% (F7) & ISO ePM1 80% (F9) filters available. ISO ePM10 50% (M5) or ISO ePM 65% (F7) pre-filters as an option.	Top	Counterflow	EC	Backward curve

#### Dimensional data

References	A (mm)	B (mm)	C (mm)	D (mm)	E (mm)	F (mm)	G (mm)	H (mm)	K (mm)	M (mm)
11069109	1055	1110	1580	1245	1480	690	890	400	400	870



Dimensions VEX700T

Dimensions VEX700T

#### Airflow data

References	Max. airflow (m³/h)
11069109	4000

#### Thermal data

References	Max. exchanger output (%)
11069109	78,8

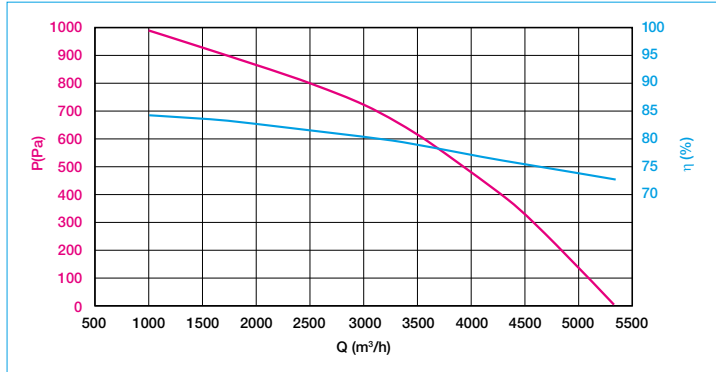
#### Electrical datas

References	Frequency (Hz)	Max. current consumption THREE-PHASE 400 V (A)	Max. electrical output of unit (kW)	Unit voltage (V)
11069109	50	7	3,5	400

Air handling unit

## 11069109 VEX760T

### Curve



- > Aerodynamic curves drawn up as per standard NF EN ISO 5801.
- > P (Pa) = static pressure.
- > P (W) = power consumption.

Aerodynamic characteristics VEX760T