

# 11015475

## W13 BAHIA® CURVE S 5/30 - Ø 80 mm presence - White

The BAHIA CURVE Commercial humidity-controlled terminal for the non-residential market ensures sufficient and constant extraction of indoor pollution according to the humidity level in the room.



Bahia Curve bath Detection

### PRODUCT BENEFITS

- Unique no-grille design conserves the aesthetic character of the terminal even if it is clogged,
- Roll-In seal,
- simple to clean,
- single reference for battery-powered or 230 V mains power.

### REGLEMENTATIONS AND COMPLIANCES

Identification no. QB37 : 05/02-CHY3-2185  
Technical Opinion no. : 14.5/17-2267

### Principles of operation

In a humidity-controlled CMEV system, the airflow is automatically controlled according to the humidity level in rooms and therefore based on the actual ventilation needs of the building.

### Product description

BAHIA CURVE Commercial terminals are humidity-controlled and automatically adjust airflow according to humidity levels in the rooms of commercial buildings.

### Fields of application

New, Refurbishment

### Installation

- BAHIA CURVE Commercial must be installed in humid rooms or equipment rooms: bathrooms, WC, cellar, etc.
- the terminal must be located at the top of a vertical wall or on the ceiling at least 1.80 m from the floor,
- the terminal must be accessible and removable with a distance of at least 20 cm between the centre of the terminal and the adjacent walls and not glued to the duct, the air tightness of the terminal - duct connection must be optimal.
- the air tightness of the terminal - duct connection must be optimal. This is achieved with O-ring seals and reinforced with a sleeve. A sheet metal sleeve is used for multi-occupancy housing (stainless steel sleeve required for a gas CMEV system). A plastic sleeve may be used for individual houses. The sleeves are slotted directly into: a sleeve, RT Flex, rigid or semi-rigid ducts. The airtight seal is created with O-ring seals and reinforced with a sleeve,
- versions with shaft D 80 mm, slots into sleeves, rigid and semi-rigid ducts,
- shaftless versions: clipped on ØD 125 mm shaft (Roll-In seal), Ø 116mm shaft (Roll-In seal) or Ø 100 mm shaft (foam seal),
- If cord-operated grilles are installed in the ceiling or above a piece of furniture, use a cord return system (code 11015001).
- Note: For humidity-controlled terminals with electrical controls, a 9V alkaline battery type 6LR61 is required as well as a conventional push button (code 11026011),
- Humidity-controlled terminals operate within the 80-160 Pa pressure range,
- Extract terminals must be maintained and checked at least once a year. Never connect a mechanical extractor hood to the CMEV network (article 14 of Decision of 24 March 1982),
- Before replacing an old terminal with a new one, measure the pressure and identify the type of dwelling,

## 11015475

### W13 BAHIA® CURVE S 5/30 - Ø 80 mm presence - White

#### Reference arguments

Application:

- Humidity-controlled extract terminal for bathroom with WC,
- Specially designed for multi-occupancy housing or individual houses (new and refurbishments).

Description:

- Attachment D125 mm,
- Base airflow: 5 m³/h, boost airflow 30 m³/h,
- Relative humidity: n/a,
- Pressure range: 80 to 160 Pa,
- Controls: occupancy detection,
- White colour,
- Roll-In seal,
- Easy to install.

#### Main characteristics

- versions and accessories to meet all installation needs,
- easy maintenance: control sub-assembly quick to clip on and unclip, easy to clean without being removed from the wall thanks to its removable Bahia Curve casing,
- pressure range: 80 - 160 Pa.

#### Accessories

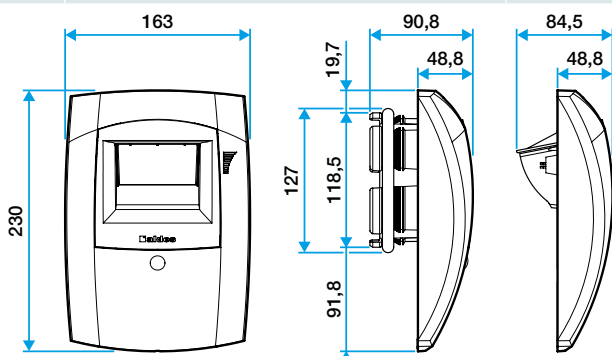
Désignations	References
Bahia shaft Ø 80/ 125	11015017
Shaft for humidity-controlled terminals D80/100 mm -White	11015274
Interface 9 V DC-230 VAC	11015280
Shoulder sleeve Ø 80 mm	11012490
Power board BAHIA power board 12 V AC-8V DC	11015275
Stapled renovation plate for Bap'SI and Bahia Curve - White	11019050
Screw-on renovation plate for Bap'SI and Bahia Curve - White	11019054

#### General data

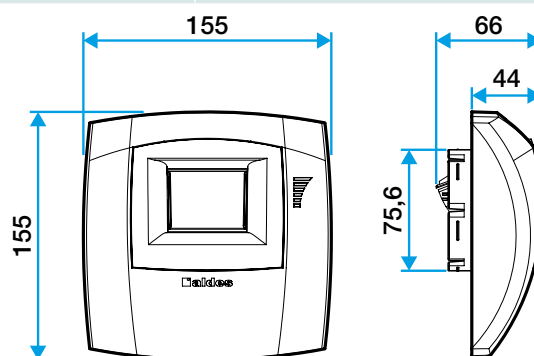
References	Type of dwelling in Hygro B	Type of dwelling	Colour
11015475	Hygro B;Hygro A	F1, F2, F3, F4, F5, F6, F7	Lagoon blue

#### Dimensional data

References	H (mm)	L (mm)	Ø connection (mm)
11015475	155	48	80



BW44, B44 Bahia Curve L



BW42, BW43, B42, B43, Bahia Curve S

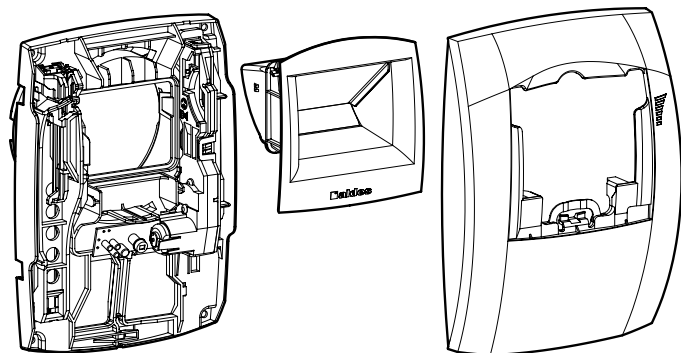
# 11015475

## W13 BAHIA® CURVE S 5/30 - Ø 80 mm presence - White

### Airflow data

References	Basic airflow (m <sup>3</sup> /h)	Boost airflow (m <sup>3</sup> /h)	Pressure range (Pa)
11015475	5	30	80-160

### Installation visual 1



Mise en œuvre Bahia Curve L